

Alliance

Manufacturing, Inc.

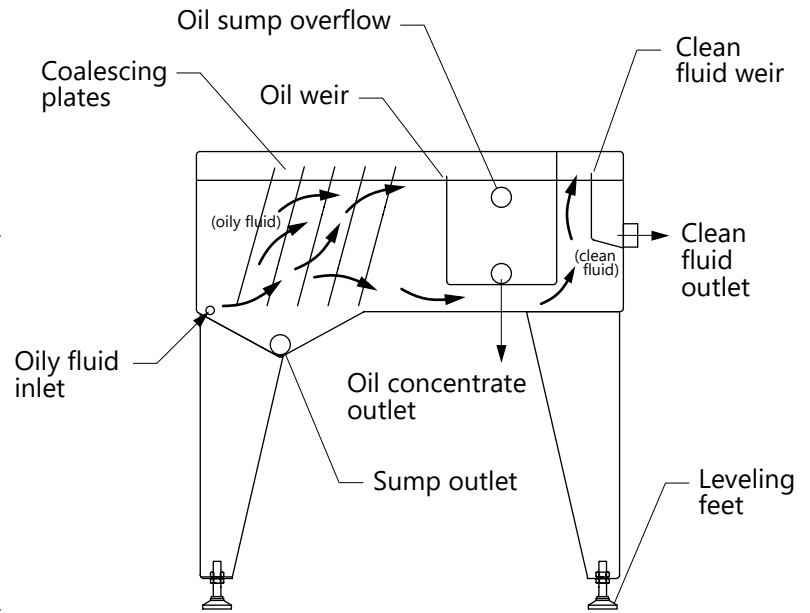
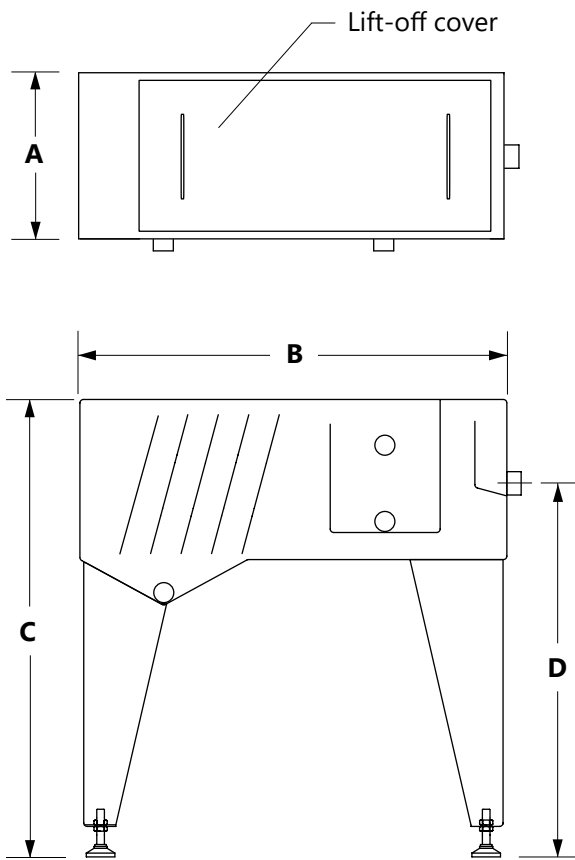


Aqualescer

Oil Coalescing System

Aqualescer

Oil Coalescing System



Specifications

Model	OC-50	OC-1000	OC-1500	OC-2000	OC-3000
Flow	0.5 GPM	1.0 GPM	1.5 GPM	2.0 GPM	3.0 GPM
Tank Capacity	7 Gal.	14.5 Gal.	20 Gal.	28 Gal.	50 Gal.
Coalescing Plates	4	4	6	8	10
A	11"	15"	15"	19"	27"
B	26"	26"	32"	38"	44"
C	30"	34"	34"	34"	34"
D	25.25"	29.25"	28.50"	28.50"	28.50"

Removes Floating Oils from Water-Based Cleaning Systems and Machine Coolant

- Highly efficient oil removal
- Conserves cleaning systems and machine coolant
- Safe oil disposal
- Low-maintenance
- Easy-clean coalescing plates
- Variable skimming depth
- Available in mild or stainless steel fabricated construction

For more information, call:

800-969-7960

Alliance
Manufacturing, Inc.

Water-Based Parts Cleaning Systems

1368 Capital Drive • Fond du Lac, WI 54937 • Phone: 920-922-8100 • Toll-Free: 800-969-7960 • Fax: 920-922-9500
Web: www.alliancemfginc.com • Email: sales@alliancemfginc.com